



Unleash your full gaming potential with the Fast IPS GB2570HSU Red Eagle

Get the competitive edge you need to unleash your full gaming potential with the 24.5" GB2570HSU offering 0.5ms MPRT and 165Hz refresh rate. Armed with FreeSync Premium you can make split second decisions and forget about ghosting effects or smearing issues. The ability to adjust brightness and the dark shades with the Black Tuner delivers greater viewing performance in shadowed areas and the IPS panel technology guarantees superb image quality. Thanks to the height adjustable stand you can easily adjust the screen position to your preferences to ensure comfort during marathon gaming sessions.



Fast IPS

The Fast IPS panel technology guarantees not only high-fidelity, vivid battleground scenes displayed with outstanding colour accuracy but provides also an outstanding 0.5ms Moving Picture Response Time (MPRT).



FreeSync™ Premium Technology

This monitor guarantees low input latency and low framerate compensation putting an end to any tearing or stuttering issues at virtually any framerate.

01 DISPLAY CHARACTERISTICS

| | |
|----------------------|-----------------------------------------------------------------------|
| Diagonal | 24.5", 62.2cm |
| Panel | Fast IPS, matte finish |
| Native resolution | 1920 x 1080 @165Hz (2.1 megapixel Full HD) |
| Aspect ratio | 16:9 |
| Panel brightness | 400 cd/m ² |
| Static contrast | 1000:1 |
| Advanced contrast | 80M:1 |
| Response time (MPRT) | 0.5ms |
| Viewing zone | horizontal/vertical: 178°/178°, right/left: 89°/89°, up/down: 89°/89° |
| Colour support | 16.7mIn 8bit |
| Horizontal Sync | 30 - 184kHz |
| Viewable area W x H | 543.7 x 302.6mm, 21.4 x 11.9" |
| Pixel pitch | 0.283mm |
| Colour | matte, black |

02 INTERFACES / CONNECTORS / CONTROLS

| | |
|---------------------|---------------------------------------------------------------------------------------------|
| Signal input | HDMI x1 (v.2.0, max. 1920 x 1080 @165Hz) DisplayPort x1 (v.1.4, max. 1920 x 1080 @165Hz) |
| USB HUB | x2 (v.3.0 DC5V, 900mA) |
| HDCP | yes |
| Headphone connector | yes |

03 FEATURES

| | |
|--------------------|--------------------------------------------------------------------------------------------------------------------------------------------------------------------------------------------------------------------------------------------------------------------------------------------------------------------------------------------------------------------------------------------------------------------------------------------------------------------------------------------------------------|
| Blue light reducer | yes |
| Flicker free | yes |
| FreeSync support | HDMI: 1920 x 1080 @40-165Hz, DP: 1920 x 1080 @40-165Hz |
| HDR | HDR Ready |
| OSD languages | EN, DE, FR, ES, IT, RU, JP, CZ, NL, PL |
| Control buttons | Power, Menu/ Select, +/- Volume, -/ ECO, Exit, Input Select |
| User controls | picture adjust (contrast, brightness, overdrive, ACR, ECO, blue light reducer, Black Tuner, colour saturation, MBR, gamma), input select, audio adjust (volume, mute), store user settings, colour settings (colour temperature, 6-Axis, user preset), image adjust (i-Style colour, X-Res Technology, sharp & soft, RGB range, video mode adjust), language, setup menu (OSD H. position, OSD V. position, OSD rotation, OSD time out, opening logo, AMD FreeSync Premium, LED), display information, reset |
| Speakers | 2 x 2W |
| Convenience | Kensington-lock™ prepared, DDC2B, Mac OSX |

04 MECHANICAL

| | |
|------------------------------|--------------------------------|
| Display position adjustments | height, pivot (rotation), tilt |
| Height adjustment | 130mm |
| Rotation (PIVOT function) | 90° |
| Tilt angle | 18° up; 3° down |
| VESA mounting | 100 x 100mm |
| Cable management system | yes |

05 ACCESSORIES INCLUDED

| | |
|--------|---------------------------------|
| Cables | power, USB, HDMI |
| Other | quick start guide, safety guide |

06 POWER MANAGEMENT

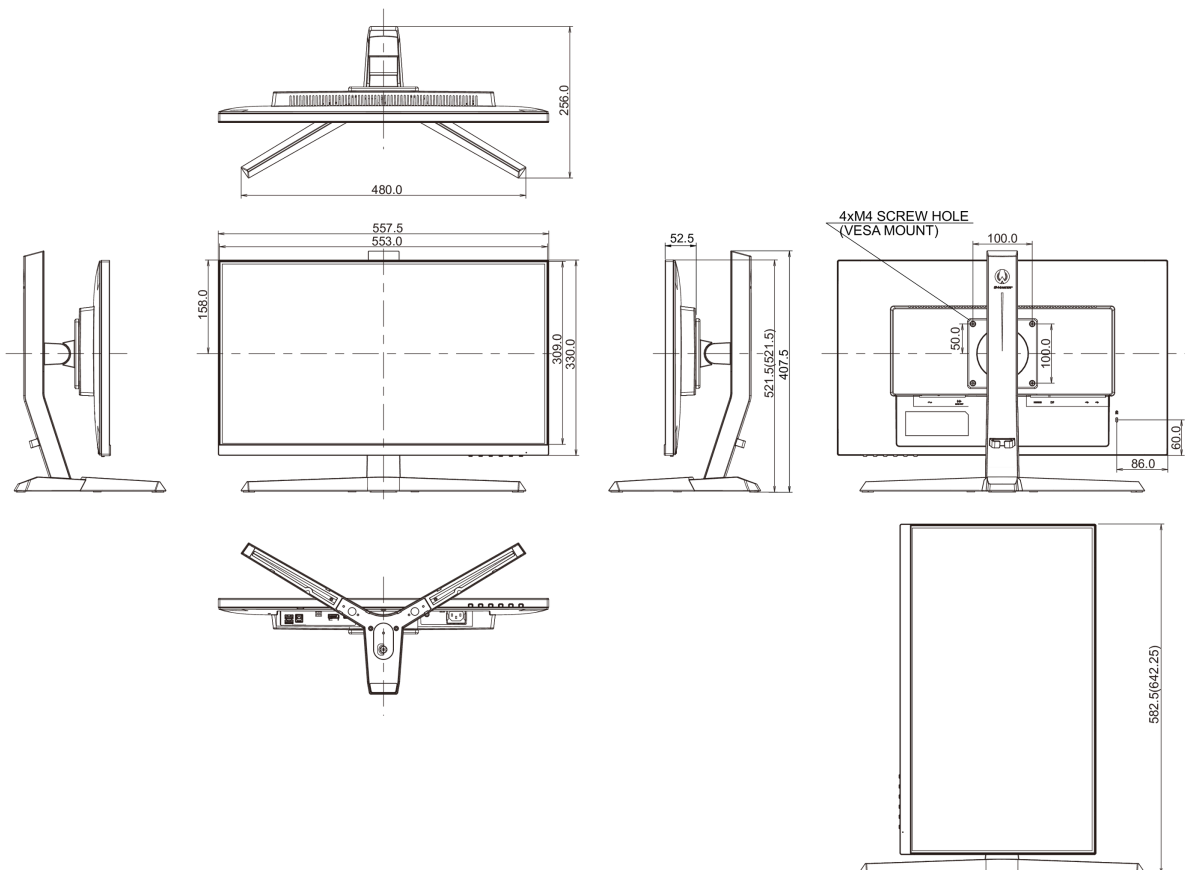
| | |
|-------------------|-------------------------------------------|
| Power supply unit | internal |
| Power supply | AC AC - 100V, 240/V, 50Hz |
| Power usage | 21W typical, 0.5W stand by, 0.5W off mode |

07 SUSTAINABILITY

| | |
|-----------------------------------------------------|----------------------------------------------------------------------|
| Regulations | CE, TÜV-Bauart, EAC, PSE, RoHS support, ErP, WEEE, VCCI, REACH, UKCA |
| Energy efficiency class (Regulation (EU) 2017/1369) | F |
| REACH SVHC | above 0.1%: Lead |

08 DIMENSIONS / WEIGHT

| | |
|------------------------------|------------------------------|
| Product dimensions W x H x D | 557.5 x 391.5(521.5) x 256mm |
| Box dimensions W x H x D | 711 x 420 x 214mm |
| Weight (without box) | 4.5kg |
| Weight (with box) | 6.5kg |
| EAN code | 4948570118311 |



All trademarks and registered trademarks acknowledged. E & O E. Specification subject to change without notice. All LCD's comply with ISO-9241-307:2008 in connection with pixel defects.

© IIYAMA CORPORATION. ALL RIGHTS RESERVED